



### GKMD03



*Actual product appearance may vary.*

**GKM Series, Miniature Key Operated Safety Interlock Switch, 1NC/1NO Direct Opening, Slow Action, Bottom Exit M12 dc Micro-change Connector, Plastic Housing, Silver Contacts**

#### Features

- Positive opening operation of normally closed contacts
- Compact enclosure
- Side or top key entry
- Choice of pre-wired cable or micro-change connector
- Bottom or side cable exit
- Bottom or side, or dual connector exit
- High switching current capability
- Choice of two stainless steel keys (Key sold separately)
- Dust cap for unused key entry
- UL, CSA, CE, BG

#### Potential Applications

- Small enclosures and compact spaces
- Multiple door modular machinery
- Stackable design allows one switch to be mounted on top of another

#### Description

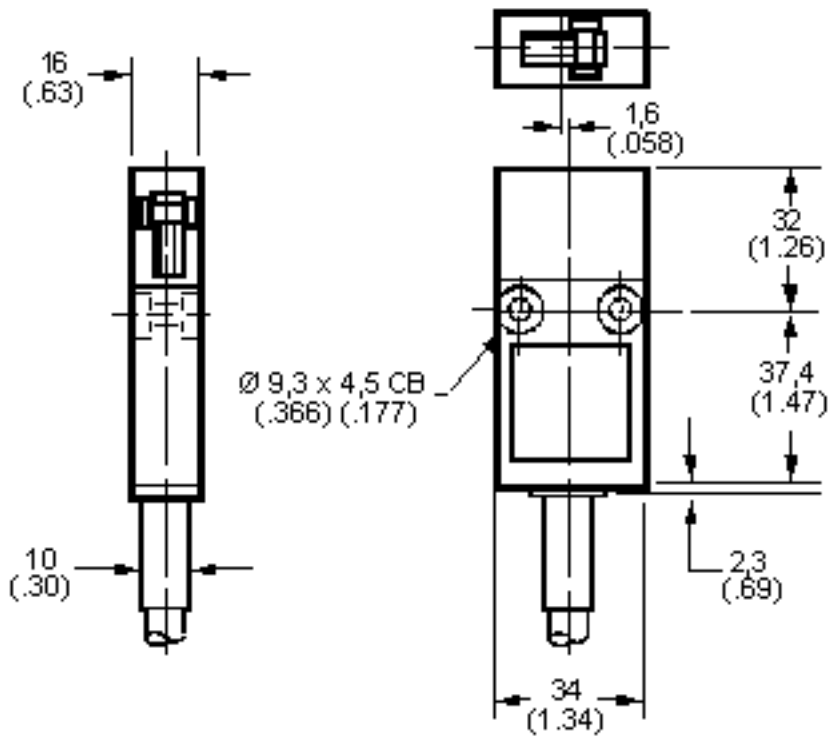
The GKM Series Global Miniature Safety Key Interlock Switch is designed for use on machinery where key removal brings the machine to an immediate safe condition. The GKM Series provides enhanced operator safety when added to hinged or sliding guard doors, screens and protective covers on enclosures. Key sold separately.

Product Specifications	
Product Type	Key Operated Safety Interlock Switch
Actuator	Key
Switch Type	1NC/1NO Direct Opening, Slow Action
Contact Material	Silver
Termination Type	Bottom Exit M12 dc Micro-change Connector
Ampere Rating	100 mA to 10 A (Thermal)
Voltage	240 Vac and 250 Vdc Maximum
Housing Material	Plastic
Series Name	GKM
Shock	50 g per IEC 68-2-27
Vibration	10 g per IEC 68-2-6
Sealing	IP66/67, NEMA 1, 12, 13, EN60529
Approvals	UL, CSA, CE
CSA File #	E37138
UL File #	E37138
Agency Approvals and Standards	IEC 947-5-1, EN60947-5-1, EN1088, EN60204, UL508, UL746C, CSA22-2-14
Mechanical Life	5 million
Operating Temperature Range	-25 °C to 85 °C [-13 °F to 185 °F]
Availability	Global
UNSPSC Code	302119
UNSPSC Commodity	302119 Switches and controls and relays

# GKM Series Mounting Dimensions (mm/in)

(for reference only)

## Cable Body



## Micro-change Connector Body

